

6MP Fixed Intelligent Dual light Dome Network Camera IPC326SB-ADF28(40)KM-DL-I1



주요 특징

- High quality image with 6 MP, 1/2.5" CMOS sensor
- 6 MP (3288 × 1860)@25/24 fps; 6 MP (3200 × 1800)@25/24 fps; 4 MP (2560 × 1440)@30/25 fps; 3 MP (2304 × 1296)@30/25 fps; 1080P (1920 × 1080)@30/25 fps
- Ultra 265, H.265, H.264, MJPEG
- Smart intrusion prevention, including cross line, intrusion, enter area, leave area detection
- Intelligent intrusion prevention system based on target classification significantly reduces false alarms caused by leaves, birds, and lights, accurately focusing on humans, vehicles, and non-motor vehicles
- Support ultra motion detection
- Intelligent people flow counting and crowd density monitoring
- 120 dB true WDR technology enables clear image in strong light scene
- Supports 9:16 corridor mode
- Alarm I/O: 1/1, audio I/O: 1/1
- MicroSD, up to 512 GB
- IK10 vandal resistant and IP67 protection

사양

Model	IPC326SB-ADF28KM-DL-I1	IPC326SB-ADF40KM-DL-I1
카메라		
최대 해상도	6 MP	
센서	1/2.5" CMOS	
최저 조도	Color: 0.002 Lux (F1.6, AGC ON), 0 Lux with light	
주간/야간	IR-cut filter with auto switch (ICR)	
셔터	Auto/Manual, 1 to 1/100000 s	
조정 각도	Pan: 8° to 360°, Tilt: 0° to 68°, Rotate: 10° to 360°	
S/N	> 52 dB	
WDR	120 dB	
렌즈		
초점 거리	2.8 mm	4.0 mm
Iris	F1.6	
화각(수평)	110.1°	94.4°
화각(수직)	59.0°	48.0°
화각(사각)	128.5°	111.3°
렌즈 타입	Fixed	
Iris Type	Fixed	
DORI		
DORI 거리(렌즈)	2.8 mm	4.0 mm
DORI 거리(감지)	63.0 m (206.7 ft.)	90.0 m (295.3 ft.)
DORI 거리(관찰)	25.2 m (82.7 ft.)	36.0 m (118.1 ft.)
DORI 거리(인식)	12.6 m (41.3 ft.)	18.0 m (59.1 ft.)

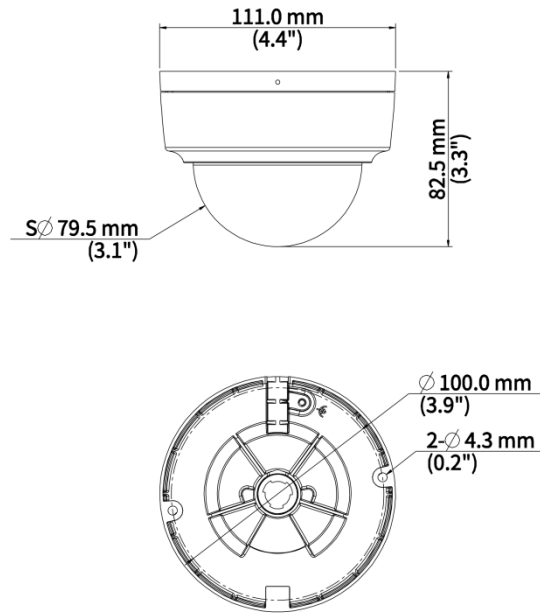
DORI 거리(식별)	6.3 m (20.7 ft.)	9.0 m (29.5 ft.)
조명		
조명 거리(웜라이트)	30 m (98.4 ft.)	
조명 거리(IR)	30 m (98.4 ft.)	
파장	850 nm	
조명 켜기/끄기 제어	Auto/Manual	
보조 조명	Dual light	
비디오		
비디오 압축	Ultra 265, H.265, H.264, MJPEG	
H.264 코드 프로파일	Baseline profile, Main profile, High profile	
프레임 속도	Main Stream: 6 MP (3288 × 1860), max. 25 fps; 6 MP (3200 × 1800), max. 25 fps; 4 MP (2560 × 1440), max. 30 fps; 3 MP (2304 × 1296), max. 30 fps; 1080P (1920 × 1080), max. 30 fps; 720P (1280 × 720), max. 30 fps; Sub Stream: 720P (1280 × 720), max. 30 fps; D1 (720 × 576), max. 30 fps; 640 × 360, max. 30 fps; 2CIF (704 × 288), max. 30 fps; CIF (352 × 288), max. 30 fps; Third Stream: D1 (720 × 576), max. 30 fps; 640 × 360, max. 30 fps; 2CIF (704 × 288), max. 30 fps; CIF(352 × 288), max. 30 fps;	
비디오 비트 전송률	128 Kbps to 16 Mbps	
U-code	Support	
OSD	Up to 8 OSDs	
프라이버시 마스크	Up to 4 areas	
ROI	Support	
비디오 스트림	Triple streams	
이미지		
화이트 밸런스	Auto, Outdoor, Fine tune, Sodium lamp, Locked, Auto2, Area white balance	
스마트 IR	Support	

디지털 노이즈 제거	2D/3D DNR
이미지 회전	Normal, Flip vertical, Flip horizontal, 180°, 90° Clockwise, 90° Anti-clockwise
디워핑	Support
HLC	Support
BLC	Support
디포그	Digital defog
지능형	
얼굴 캡처	Support
스마트 침입 방지	Cross line detection, intrusion detection, enter area detection, leave area detection (support false alarm filtering and the classification of human, non-motor vehicle and vehicle)
피플 카운팅	Support people flow counting and crowd density detection
이벤트	
기본 감지	Motion detection, Ultra motion detection, Tampering alarm, Audio detection
기본 기능	Watermark, IP address filtering, Access policy, ARP protection, RTSP authentication, User authentication, HTTP authentication, Alarm input, Alarm output
오디오	
오디오 압축	G.711U, G.711A, AAC-LC
오디오 비트레이트	G.711U/G.711A: 64 kbps, AAC-LC: 128 kbps
양방향 오디오	N/A
억제	Support
샘플링 레이트	G.711U/G.711A: 8 kHz, AAC-LC: 8 kHz, 16 kHz, 48 kHz
저장 장치	
엣지 스토리지	MicroSD, up to 512 GB
네트워크 스토리지	ANR, NAS (NFS)

네트워크	
프로토콜	IGMP, SMTP, IPv6, ICMP, ARP, TCP, UDP, DHCP, PPPoE, RTSP, DNS, DDNS, NTP, UPnP, HTTP, 802.1x, SNMP, SSL/TLS, IPv4, RTP, RTCP, RTMP, HTTPS, FTP
호환 통합	ONVIF (Profile S, Profile G, Profile T, Profile M), API, SDK
사용자/호스트	Up to 32 users. 2 user levels: administrator and common user
보안	Password protection, Strong Password, HTTPS encryption, Export operation logs, Basic and Digest Authentication for RTSP, Digest Authentication for HTTP, TLS 1.2, WSSE and Digest Authentication for ONVIF, DTLS 1.2
클라이언트	EZStation, APP
웹 브라우저	Plug-in required live view: IE 10+, Chrome 45+, Firefox 52+, Edge 79+, Plug-in free live view: Chrome 57+, Firefox 58+, Edge 16+
인터페이스	
오디오 I/O	1 Input: impedance 35 kΩ, amplitude 2 V [p-p], 1 Output: impedance 600 Ω, amplitude 2 V [p-p]
알람 I/O	1/1
시리얼 포트	N/A
내장 마이크	Support
내장 스피커	N/A
WIFI	N/A
네트워크	1 × RJ45 10 M/100 M Base-TX Ethernet
비디오 출력	N/A
인증	
EMC	CE-EMC (EN 55032, EN 61000-3-3, EN IEC 61000-3-2, EN 50130-4) FCC (FCC 47 CFR part15 B)
안전성	CE-LVD (EN 62368-1) UL/CUL (UL 62368-1, CAN/CSA C22.2 No. 62368-1)
환경	CE-RoHS (2011/65/EU ; (EU) 2015/863) ; WEEE (2012/19/EU)
보호	IP67 (IEC 60529) IK10 (IEC 62262)

일반	
전원	DC 12 V±25%, PoE (IEEE 802.3af)
전력 소비량	Max. 5.4 W
전원 인터페이스	Ø5.5 mm coaxial power plug
크기	Ø111.0 mm × 82.5 mm (Ø4.4" × 3.3") (Ø × H)
무게	0.44kg (0.97 lb)
작업 환경	-30 °C to 60 °C (-22 °F to 140 °F), Humidity: ≤ 95% RH (non-condensing)
저장 환경	-30 °C to 60 °C (-22 °F to 140 °F), Humidity: ≤ 95% RH (non-condensing)
서지 보호	4 KV
초기화 버튼	Support
재료	Metal
웹 클라이언트 언어	20 Languages: Traditional Chinese, English, Simplified Chinese, Polish, German, Russian, French, Korean, Dutch, Czech, Portuguese (Europe), Portuguese (Brazil), Japanese, Thai, Turkish, Spanish (Latin America), Spanish (Europe), Hungarian, Italian, Vietnamese

크기



액세서리

TR-JB03-G-IN

Junction Box for Mini Fix-dome(Support wiring from behind)



HS-205S

Sunshade Shell for Fixed Focus Dome



TR-JB07/WM03-G-IN-V2

Wall Mounting Assembling Bracket For 32 Fix-dome&Mini Fix-dome&Plastic Turret Camera



TR-WM03-D-IN-V2

Wall Mounting Bracket for 32
Fix-dome&Mini Fix-dome&Plastic Turret
Camera



TR-UM06-E-IN

Slant Mounting Bracket for Fixed Dome



TR-FM116

In-ceiling Bracket for Fix-dome



TR-A01-IN

NPT 3/4" Waterproof Cable Gland



TR-UP06-C-IN-V2

Pole Mounting Bracket for Bullet Junction
Box Only



TR-UC08-C-V2

Bullet&Dome Corner Mounting Bracket



TR-WM07P-B

Dome Wall Mounting Plastic Bracket



TR-CM24-IN

Dome Pendant Mounting Bracket(Indoor)



TR-SE24-A-IN

Dome Pendant Mounting Pole 500mm



TR-SE24-IN

Dome Pendant Mounting Pole 200mm



Unlimited New View

浙江宇视科技有限公司



<http://www.uniview.com>



overseasbusiness@uniview.com; globalsupport@uniview.com



South Tower, Building 10, Wanlun Science Park, 88 Jiangling Road, Hangzhou, P.R.China



©2023-2025 Zhejiang Uniview Technologies Co., Ltd. All rights reserved.

*Product specifications and availability are subject to change without notice.

虽然我司试图在本资料中提供准确的信息，但不保证资料的内容不含有技术性误差或印刷性错误，为此我司对本资料中的不准确不承担任何责任。我司保留在没有通知或提示的情况下对本资料的内容进行修改的权利。